

PUBLISHED

M. SCHMIDT

Serial No.

MAY 11, 1943. CONTAINER FOR A RAZOR WITH STROPPING DEVICE

424,071

BY A. P. C.

Filed Dec. 22, 1941

Fig. 1

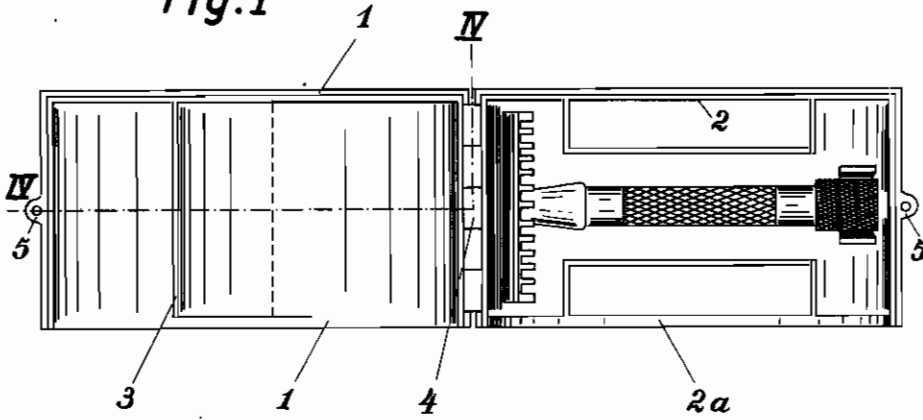


Fig. 2

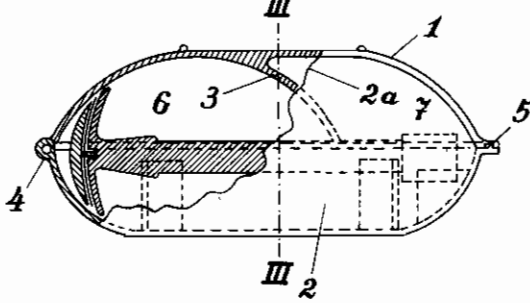


Fig. 3

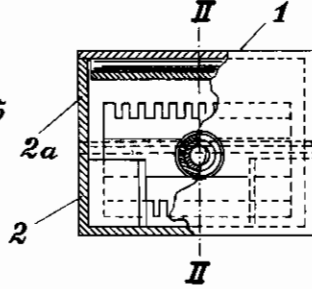
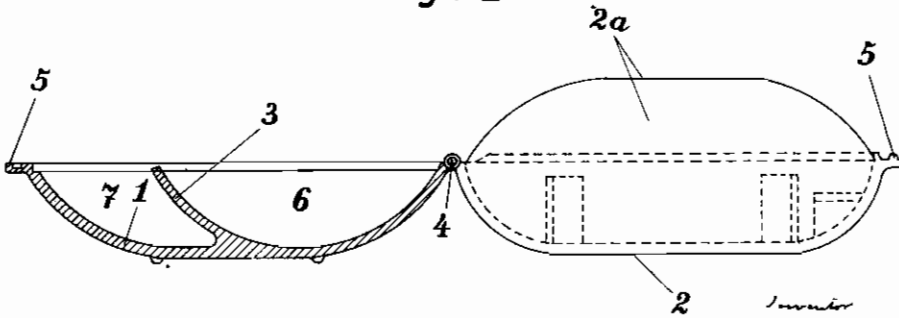


Fig. 4



Inventor
Max Schmidt
7 June 1943
by [signature]

ALIEN PROPERTY CUSTODIAN

CONTAINER FOR A RAZOR WITH STROPPING DEVICE

Max Schmidt, Berlin-Wilmersdorf, Germany;
vested in the Alien Property Custodian

Application filed December 22, 1941

Containers for safety razors are known which are composed of two cup-shaped parts hingedly connected at one end, one part adapted to be folded over the other part, and in which the top part has a cavity formed of pressable material suitable for stropping.

These containers of known type have the inconvenience that they easily get dirty as they are freely exposed and open and consequently soon become useless by damages and dirt.

Box-shaped containers have also become known in which an oval aperture is provided in one end face of the box parts, and this aperture is covered by a not rigid, bendable, step-like insert or flap in the lid. By pressing the flap inwardly the interior of the container is accessible.

The container according to the invention differs from the containers of known type in that the stropping cavity is provided on the inner side of the lid. The stropping cavity is formed by a curved wall near the hingedly connected end of the cover and by a similarly curved wall inwardly extending from the inner side of the lid.

The stropping cavity is dust-tightly covered when the lid of the container is closed.

An embodiment of the invention is illustrated by way of example in the accompanying drawing, in which

Fig. 1 shows the opened container in top plan view,

Fig. 2 is a part section on line II—II of Fig. 3, Fig. 3 is a part section on line III—III of Fig. 2,

Fig. 4 shows in longitudinal section on line IV—IV of Fig. 1 the container in open state, the lid in section and without the razor.

The container according to the invention consists of a cup-like bottom part 2 and of a cup-like cover part or lid 1, these parts being connected by a hinge 4. The razor is placed in the bottom part 2.

The lid 1 is made of a pressable material suitable for stropping.

According to the invention the stropping device for the razor blade is provided on the inner side of the lid and is thus dust-tightly covered when the container is closed.

The part which forms the stropping device consists of a curved extension 3 which extends from the middle of the lid 1 and subdivides the lid into two compartments 6 and 7. The stropping device proper is formed on the one hand by the curved extension 3 and on the other hand by the inner surface of the part of lid 1.

The lid 1 is open at one side so that the blade of a razor can be inserted into the stropping cavity when the lid is opened, i. e. laid over from the bottom part. The bottom part 2 has an upwardly extending wall 2a at the side corresponding to the open side of the lid 1 so that, when this lid 1 is in the closed position, the container is completely closed. A snap lock 5, 5a at the outer ends of lid 1 and bottom part 2 serve to securely hold the lid on the bottom part.

MAX SCHMIDT.