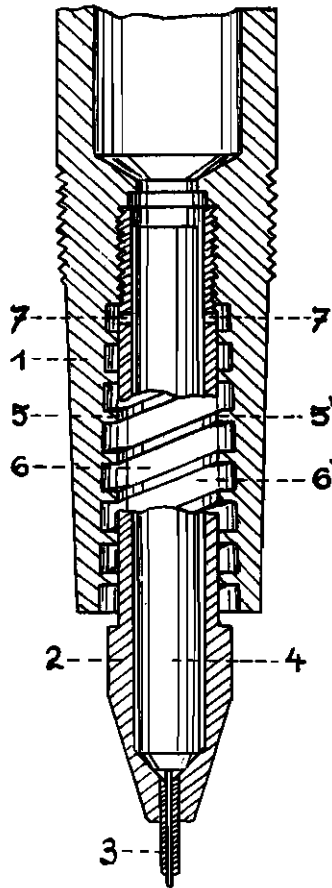


PUBLISHED
MAY 11, 1943.
BY A. P. C.

T. KOVACS
FOUNTAIN PEN
Filed Nov. 29, 1941

Serial No.
421,062



Inventor,
T. Kovacs
By:
Glascock Downing & Hulbert
Attorneys.

ALIEN PROPERTY CUSTODIAN

FOUNTAIN PEN

Theodor Kovács, Wien 117, Germany; vested in
the Alien Property Custodian

Application filed November 29, 1941

This invention relates to a fountain pen provided with an annular compensation chamber arranged in the bore of the neck portion of the pen. Said chamber is formed in the known fountain pens by a body inserted into said bore and having a diameter which is by about 1 mm smaller than the clear width of the bore whereby an annular intermediate space, viz. said annular chamber, is formed. This latter is completely open at its lower end, viz. in the direction to the tip, whereas it communicates at its other end with the ink receptacle either by helical air-passages or by air passages disposed in staggered arrangement. The intermediate annular space is intended and adapted to receive any surplus of the ink, but the ink entering thereinto through said passages does not fill said chamber uniformly and fully, especially if the said chamber is comparatively long, because the downwardly trickling ink closes the deeply located aperture connecting the compensation chamber with the exterior air prior to the chamber becoming completely filled. It is from this reason that the annular compensation chamber is open around its entire circumference, but this arrangement entails the risk that ink can unintentionally leave said chamber.

The object of the present invention is to render it possible that the compensation chamber becomes uniformly and completely filled and to prevent the ink from leaving it unintentionally. This is attained by means of thread-like ribs subdividing the annular intermediate space into broad thread-like fields connected with one another at their upper parts with the ink receptacle by means of the narrow air-passages, whereas their lower parts communicate with the outer air. The ribs separating said fields from one another may be provided at the above-mentioned inserted body or at the inner wall of the neck portion of the fountain pen or between

this wall and said body. Providing said ribs at the inner wall of the neck portion is to be preferred because flowing over of the ink from one field into a neighboring one will then be most reliably prevented.

The invention is illustrated diagrammatically and by way of example on the accompanying drawing which shows in axial section the lower half of a fountain pen improved according to this invention.

On the drawing, 1 denotes the neck portion of the pen, and 2 denotes the hollow body inserted into the bore of said portion and having the writing tube 3 attached to it, and into the bore of said body is inserted the plunger 4 which is equipped with the cleaning needle. The inner wall of the neck portion 1 is provided with the thread-like narrow ribs 5 5' which surround closely the hollow body 2 and subdivide the compensation chamber formed by said members into thread-like disposed broad fields 6 6' which communicate at their upper parts with the ink receptacle by the intermediary of the transverse bores 7—7', whereas they extend at their lower parts to the orifice of the neck portion; they become narrower in upward direction.

Ink penetrating from the ink receptacle through said transverse bores owing to having become hot or from any other reason must, under circumstances, overcome a rise and it may occur that it flows from any one of said fields to and into an adjacent one. Such an undesired occurrence is fully prevented by the provision of the ribs, as described. The fields become narrower in the direction to the ink receptacle and the surplus of ink which they have taken up is uniformly conducted away during writing. The thread-like ribs prevent the ink from being shaken off from the compensation chamber.

THEODOR KOVÁCS.