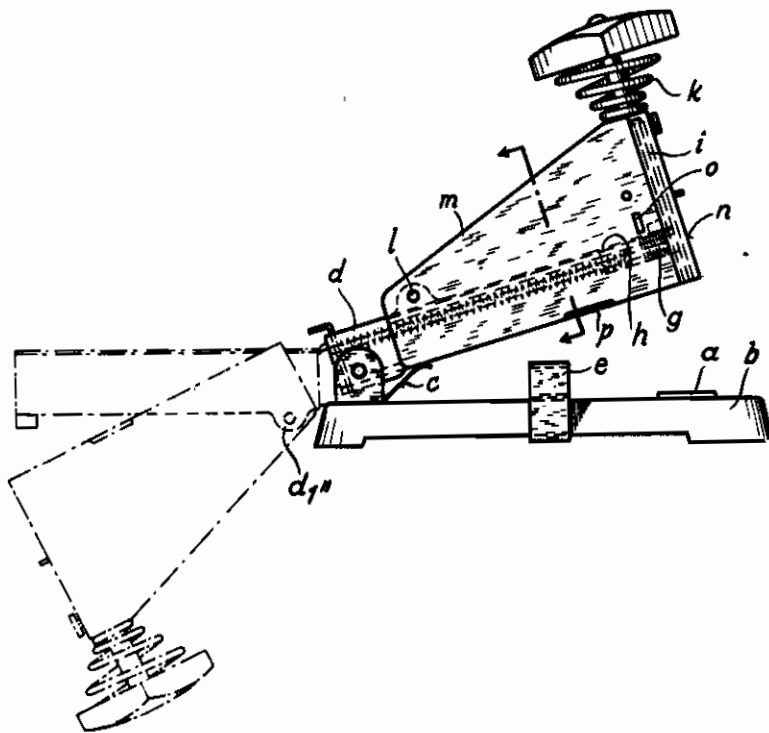


PUBLISHED
APRIL 27, 1943.
BY A. P. C.

J. KUNERT
PAPER FASTENING DEVICES
Filed Aug. 7, 1940

Serial No.
351,747
2 Sheets-Sheet 1

Fig. 1.



Inventor:

J. Kunert

PUBLISHED
APRIL 27, 1943.
BY A. P. C.

J. KUNERT
PAPER FASTENING DEVICES
Filed Aug. 7, 1940

Serial No.
351,747
2 Sheets-Sheet 2

Fig. 2.

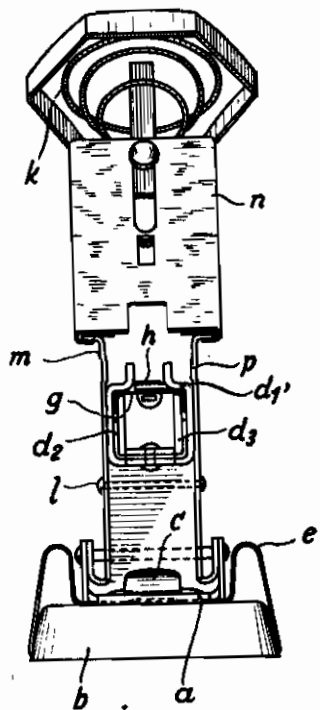
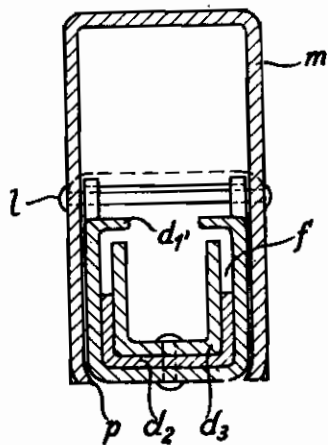


Fig. 3.



Inventor:

Joseph Kunert

ALIEN PROPERTY CUSTODIAN

PAPER FASTENING DEVICES

Josef Kunert, Nixdorf, Sudetenland, Germany;
vested in the Alien Property Custodian

Application filed August 7, 1940

This invention relates to a paper fastening device of the type comprising a base and a movable top secured thereto at one end and kept at a distance therefrom by spring action when in inoperative position.

In order to permit inspection of the application of wire staples to the work and quick removal of trouble due possibly to the clogging of the staple guide it has been proposed to provide the staple magazine with a detachable covering plate. It is further known to divide the covering plate and detachably to secure the lower portion thereof to the magazine casing. All such devices are, however, open to the objection that the covering plate or a portion thereof has to be taken out of its working position and returned thereto after elimination of the trouble, which operations are often difficult to perform and always involve a loss of time.

The invention overcomes these drawbacks by movably securing the staple casing or magazine provided with a fixed covering plate to a swingable lever and holding it in operating position by suitable clamping means, preferably spring noses. According to the invention, the front portion of the staple channel or guide can be readily exposed to view by turning the lever backward until it strikes the base of the device. Continued backward movement of the lever severs the clamping connection between the lever and the magazine which moves away from the lever and exposes both the lever and the staple guide. After removal of the trouble the lever need only be swung back until it strikes the front part of the base and returns into clamped connection with the magazine.

One form of the invention is illustrated in the accompanying drawing, in which

Figure 1 is a side view of the device with the lever and staple magazine turned back, and

Fig. 2 is a front view showing the swung out lever.

The device comprises a base *b* provided with an anvil *a*. To the base *b*, by means of an interposed spring *c*, a swingable lever *d* is articulated, and the base is further provided with a longitudinally displaceable elastic work guide *e*. In the example shown, the swingable lever includes the members *d1*, *d2*, *d3* whose slot *f* serves for the reception of staples *g*. The staples *g* are forced in known manner by a spring-loaded slide *h* toward a driver *i* held in elevated position by a coil spring *k*.

The portion *d1* of the lever *d* has a rectangularly bent upper end *d1'* to insure good guiding of the staples. At *d1''* the bent ends *d1'* form a bearing for a shaft *l* to which a staple magazine *m* having, in the construction shown, trapezoidal shape is articulated, whose front face constitutes a covering plate *n* firmly secured to the member *m*. The casing *m* is enclosed on all sides to prevent the entrance of foreign bodies.

The side faces of the casing *m* possess punched noses *o* which serve as stops when the casing is moved back about the shaft *l*. The lower longitudinal edges of the side walls of the casing *m* are partly bent inwardly to act as springy noses *p* which hold the swingable lever *d* in operating position in the casing *m*.

It lies within the scope of the invention to employ other means for temporarily connecting the casing and the lever. It is further possible, without deviating from the principle of the invention, to impart a different form to the staple casing or magazine and to suitably vary the arrangement of casing and lever, the essential feature being only to permit temporary complete or partial detachment of the magazine from the swingable lever.

JOSEF KUNERT.