

PUBLISHED  
MAY 11, 1943.  
BY A. P. C.

J. LECLABART  
HEATER FOR PERMANENT WAVING  
Filed July 7, 1939

Serial No.  
283,283

Fig. 1

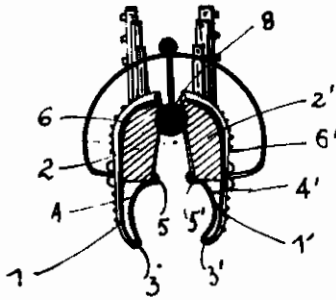


Fig. 2

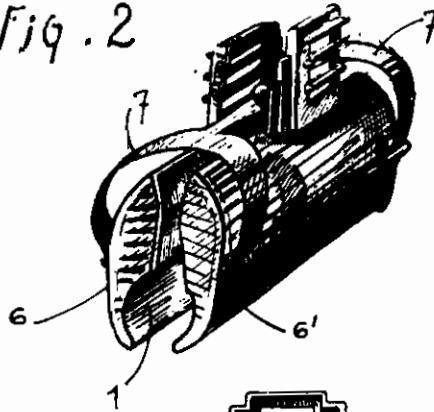
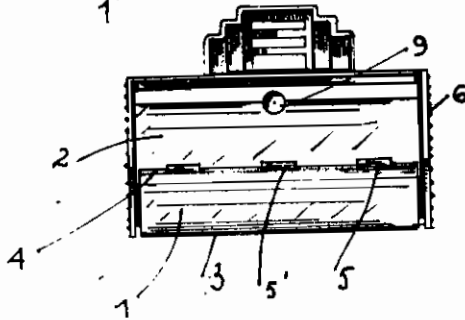


Fig. 3



INVENTOR:  
JEAN LECLABART  
BY Maxwell E. Spangus  
ATTORNEY

# ALIEN PROPERTY CUSTODIAN

## HEATER FOR PERMANENT WAVING

Jean Leclabart, Courbevoie, France; vested in the  
Alien Property Custodian

Application filed July 7, 1939

My invention relates to heaters for permanent waving and its main object is to provide such a heater which is heated on heating bars and restores the accumulated heat by means of a graduating device, thereby avoiding the suddenness of the shock at the instant when the heater is placed on the air.

Other features and advantages of the invention will become apparent from the ensuing description taken in conjunction with the accompanying drawing which shows diagrammatically and merely by way of example, one embodiment of my invention. In said drawings:

Fig. 1 is a vertical section of a heater according to my invention.

Fig. 2 is a perspective view of said heater.

Fig. 3 is a plan view of one of the jaws of the heater.

According to my invention, the parts 1, 1' of the jaws of the heater are made V-shaped in order to increase the path through which the heat restored by the heat accumulator 2, 2' travels at the instant when the heater is placed on the hair and thereby avoid too sudden an increase of temperature of the hair. However, since if the heat

had to travel through the entire circuit formed by the jaws 1, 1', the heat exchanges at their point 3, 3' would be greater than at their ends 4, 4', provision has been made for connecting the ends 4, 4' to the heat accumulators at one or a plurality of points by means of small metal tongues 5, 5' or any other device.

The whole arrangement thus constructed is mounted in a body 6, 6' made of plastic material, the two jaws being connected together by means of springs 7, their movements being independent of each other and of the spring; said spring prevents the jaws from opening and said jaws are pivoted on a ball 8 for which a housing 9 is provided in each of the jaws, thereby enabling same to take up all the necessary positions about the lock of hair, whatever be the regularity of the rolling thereof.

While I have illustrated and described the preferred form of construction for carrying my invention into effect, this is capable of variation and modification, without departing from the spirit of the invention.

JEAN LECLABART.