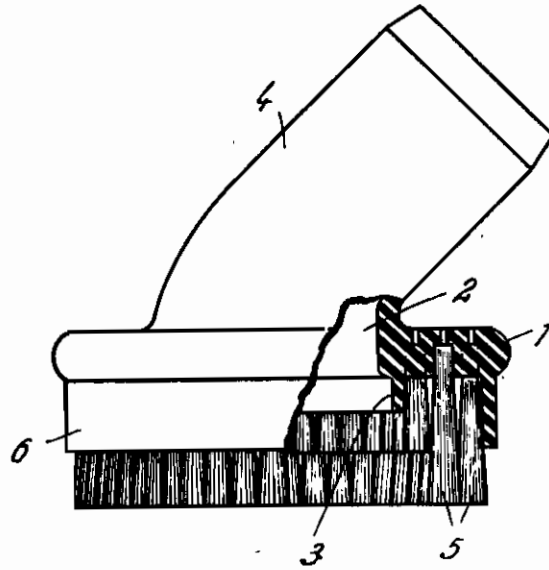


PUBLISHED
APRIL 27, 1943.
BY A. P. C.

W. WEIMERS
SUCTION BRUSH FOR VACUUM CLEANERS
Filed Feb. 16, 1938

Serial No.
190,794



Inventor
Wilhelm Weimers
by Knight Bros. Attorneys

ALIEN PROPERTY CUSTODIAN

SUCTION BRUSH FOR VACUUM CLEANERS

Wilhelm Weimers, Berlin-Reinickendorf, Germany; vested in the Alien Property Custodian

Application filed February 16, 1938

The present invention relates to vacuum cleaning devices, and more particularly to a suction brush therefor. According to the invention all parts of the brush, such as the housing, suction mouthpiece and connection member for the suction tube are made of an elastic material, such as, for instance, rubber. In this case the suction brush is preferably so designed that a ring consisting of the same elastic material and surrounding the greater portion of the brush bristles in the form of a protective sleeve is integral with the other parts of the brush.

By designing the suction brush in such a manner the great advantage is obtained that the suction brush may be easily adapted to the surfaces to be treated, that objects calling for a careful treatment cannot be damaged by the same and that the brush even in the case of ill-usage has a long life. Besides, the brush presents the further advantage in that the bristles may easily be secured to the housing of the brush in a reliable manner. Furthermore, the manufacture thereof is very simple and economical,

since it may be made as a whole of the same material.

In the accompanying drawing is shown an embodiment of the invention in which the single figure shows a view, partly in section of the brush according to the invention. 1 is a disk-shaped body forming the housing and having in the central portion thereof a suction opening 2. The body 1 is provided with the suction mouthpiece 3 and the connection member 4 serving to attach the suction brush to the suction tube of a vacuum cleaner or the like. Brush bristles 5 are arranged inside the housing 1 in various rows somewhat concentrically to the suction opening 2. From the outer edge of the housing 1 extends a thin-walled ring 6 in the downward direction which encloses the greater portion of the brush bristles 5, holds them together and serves on the other hand to protect the same. All parts 1 to 4 and the part 6 of the brush form a unit which consists of elastic material, preferably rubber.

WILHELM WEIMERS.